

floorC

Smart Building Wireless Controller

Controller Key Features

The floorC controller aggregates hundreds of floorsense and floorsight desk sensors into a single low frequency wireless mesh. floorC controllers provide both gateway services and analytics event data to end user systems, and the floorsense cloud dashboard

- One floorC controller supports upto 200 sensors - generally 1 is required per building level depending on desk / sensor density
- Operates as a border router and gateway to the self-healing floorsense mesh network (doesn't conflict with existing WIFI networks)
- Solid fanless industrial appliance with simple installation anywhere with a single LAN port and power available (including in toe-kick spaces of *Smartalock* locker banks)
- Collects and reports sensor data (swipe card reads, desk occupancy, smartphone charging etc) to upstream floorsense dashboard systems or end customer BI tools
- Can simultaneously function as a Smartalock slave controller for a single locker bank of upto 80 lockers.

Product Specifications

Hardware

CPU:	Intel J3160 Processor
RAM:	4GB ECC
Storage:	64GB SSD with redundancy
Radio:	Integrated 915/2440mhz Thread Mesh Network Radio
Other:	USB Programming port. AutoBoot on Power.
Networking:	Dual Gigabit Uplink ports for linking to other controllers and upstream gateway services

Environmental

Operating Temperature Range:	5 - 40°C
Storage Temperature Range:	-15 - 70°C
Humidity:	0 to 95% relative humidity, (non-condensing)
ESD:	±15kV Air and ±8kV Contact
Power Requirements:	12V DC in via 5.5x2.1mm jack. Max 15W Draw.

Connectivity Options

Management Network:	Gigabit WAN port for external configuration and monitoring
---------------------	--

Max Connections*:	supports upto 200 mesh radio endpoints (floorsense or floorsight modules)
-------------------	---

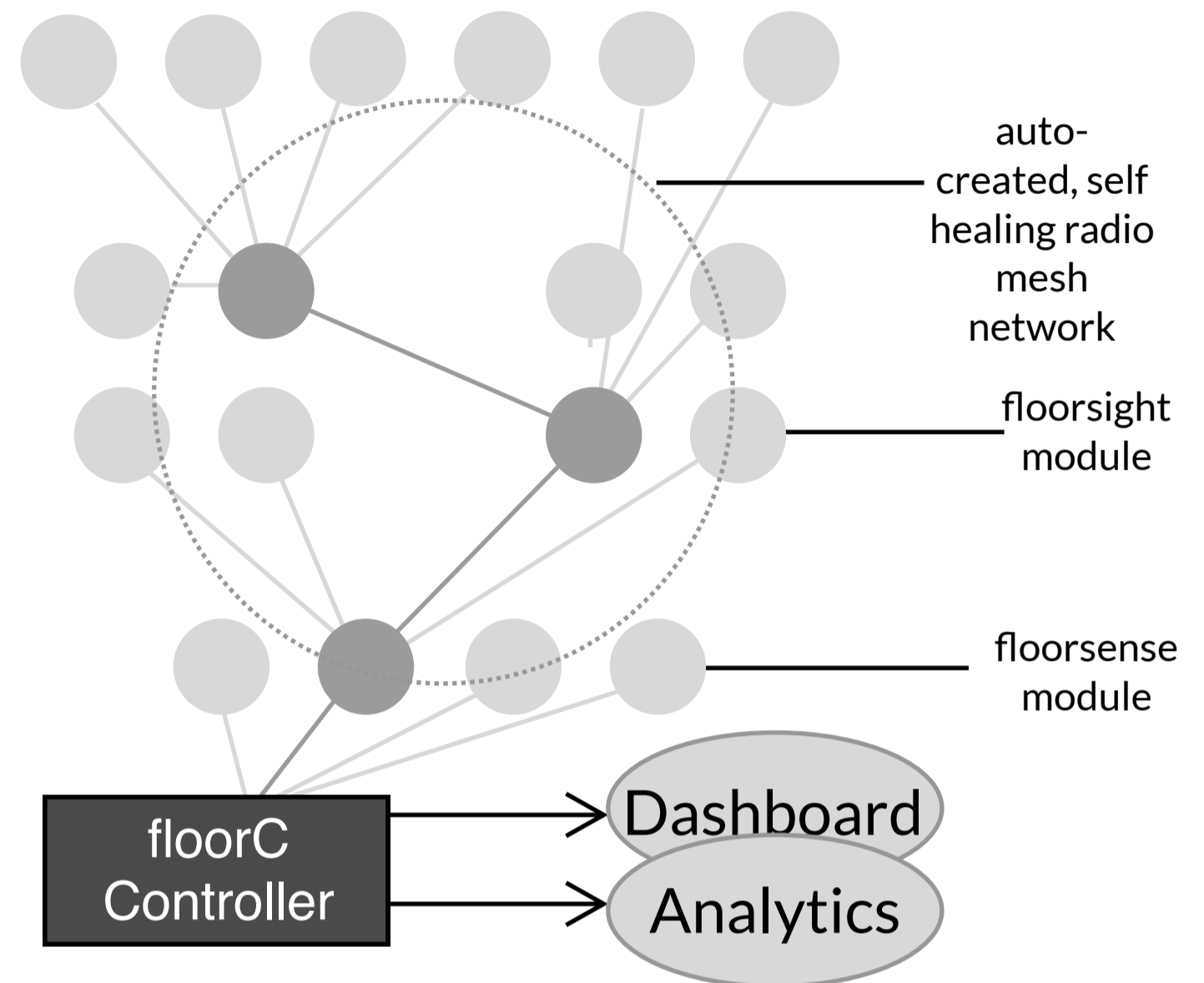
*floorC controller max connections subject to radio site survey and position of endpoints. FloorX controller concurrently operating as Smartalock storage locker slave controller may reduce maximum supported floorsense/floorsight sensors to 150 per controller.

Warranty

floorC controllers and floorsight systems come with a 24 month warranty.

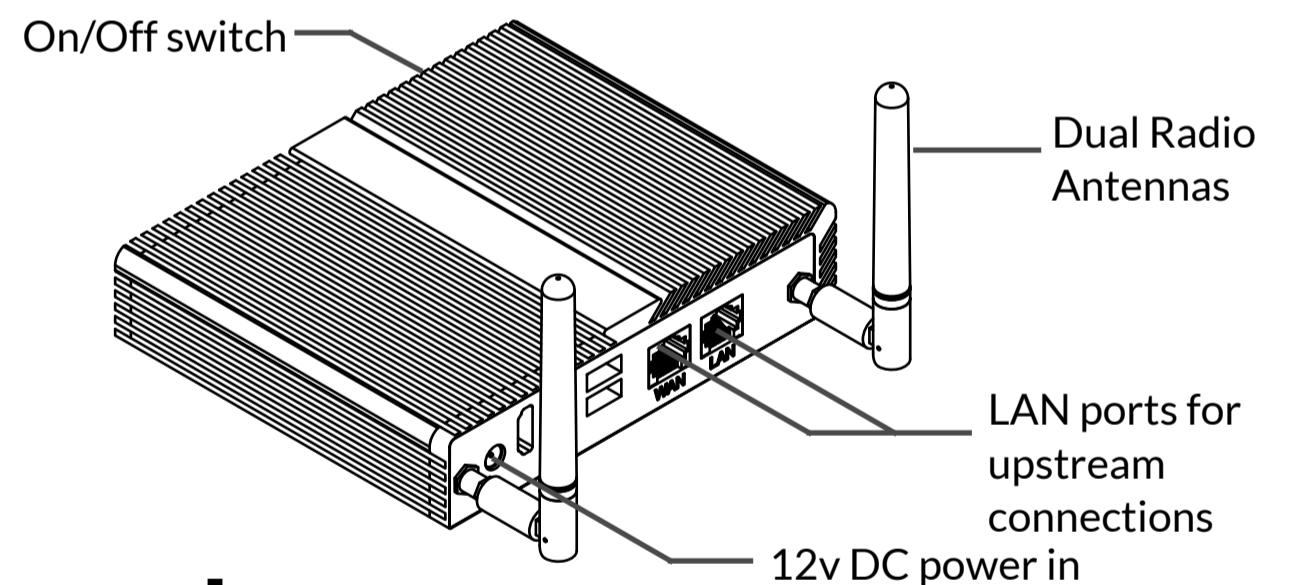


Network Layout

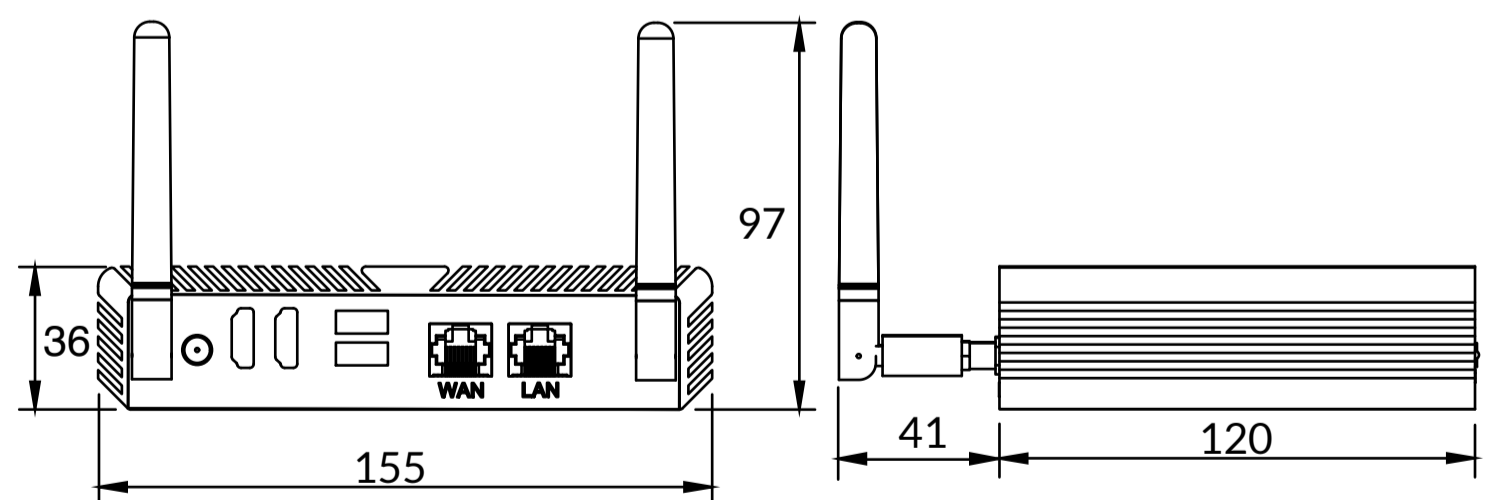


floorC controllers act as gateways into and out of the IPv6 based sensor radio network. This allows for external (IPv4 based) services such as commissioning apps, realtime floorplans and floorsense analytics/reporting systems to directly interact with sensors.

Physical Details



Dimensions



Dashboard with Powerful Analytics

With sensor data via the floorC controllers, the floorsense dashboard web application provides dynamic floorplan heatmaps via any web browser - such as on interactive touch-screens situated around the office. The floorsense heatmaps allow users to quickly find available workspaces, browse different floors, or search for an individuals location - dramatically increasing workplace efficiency.

Reseller Contact