



floorsight

Where is everyone?

Module Key Features

The most advanced workspace reservation system available that's also the simplest to use. Swipe on with existing building access card to reserve a desk, or simply place smartphone on the wireless charger.

- Full featured top of desk hardware combines an RFID reader, wireless and wired charging and traffic light indicator for users to dynamically reserve workspaces
- High performance self-healing mesh network using Smart Building IOT radio frequencies (doesn't conflict with existing WIFI networks)
- Simple installation using screwdriver and Android commissioning App. New desks or easy onsite retrofit with 3.5inch holesaw.
- Detailed floorplan heatmaps shows which users are where and the available free workspaces on any floor in realtime
- Fast lookup system lets users find each other from any screen - including Smartlock locker bank kiosks, touchscreens or any web browser
- Full reporting on historical utilisation by desk, floor, building or user
- Low cost all inclusive pricing - No IT project required

Product Specifications

Hardware

Building Card Reader:	ISO14443A supporting Mifare based cards (CSN)
Wireless Charger:	qi Standard 5W. v1.2.3 compliant. iPhone 8/X+. Android
Wired Charger:	USB2 5V 2.1A (10W) Fast Charge
Smartphone Proximity Detection:	Bluetooth 5 Beacon / NFC
Backhaul Network:	915MHz or 2.4GHz Thread (6LoWPAN, IPv6) Requires floorsense controller/gateway sold separately
Under-Desk Proximity Sensor:	floorsense sensor connection* (3.5mm)
LED:	multi-colour indicator for desk status

Environmental

Operating Temperature Range:	5 - 40°C
Storage Temperature Range:	-15 - 70°C
Humidity:	0 to 95% relative humidity, (non-condensing)
ESD:	±15kV Air and ±8kV Contact
Operational Voltage:	12V DC in via 5.5x2.1mm jack

Connectivity Options

Management Network:	LAN Connection to Thread IPv6 network provided by floorsense controller/gateway
---------------------	--

Power 12V DC in via supplied SAA approved power adaptor.

Ordering Information FSGHT-M-915-V2-S

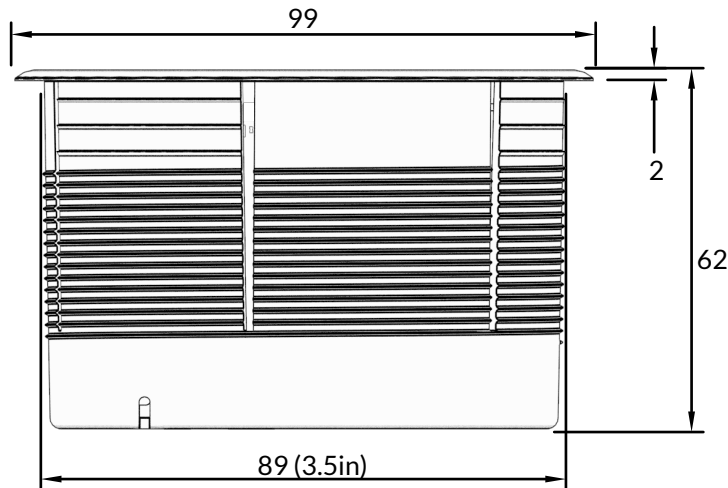
*floorsight includes the floorsense under-desk proximity sensor. When floorsense is operating in conjunction with floorsight, low voltage power to floorsense module along with sensor data is provided via the 3.5mm stereo cable and no floorsense battery is required.

Warranty

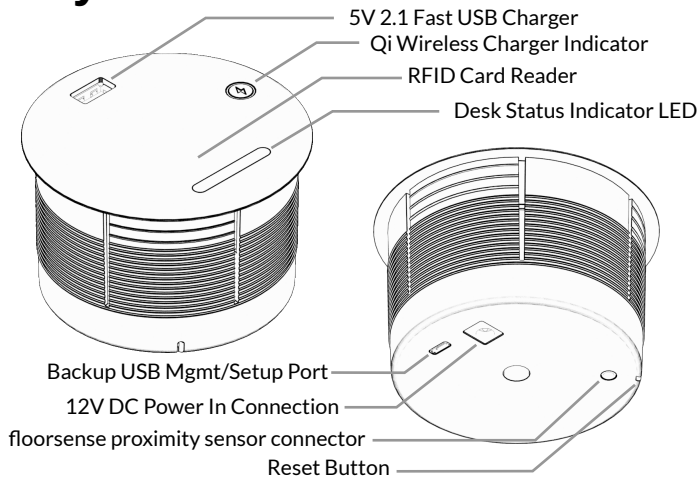
floorsight systems come with a 24 month warranty.



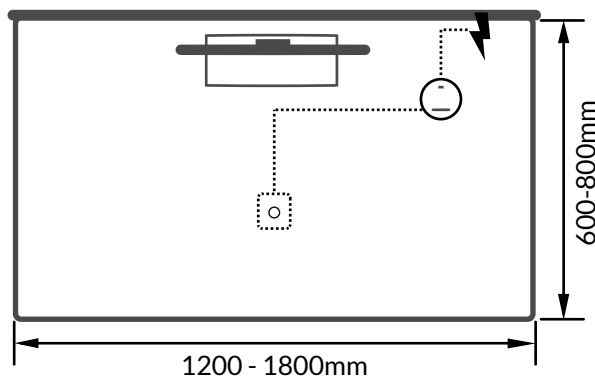
Physical Dimensions



Physical Details



Typical Installation Layout



The floorsight module requires an 89mm (3.5inch) hole in the desk. The module is pressed in to place and provided power via a 12 volt AC-DC power adaptor connected to below-desk mains power output. The floorsight module is then connected to the below-desk floorsense module via a 3.5mm stereo cable. See floorsense.se/support for more information.

Reseller Contact